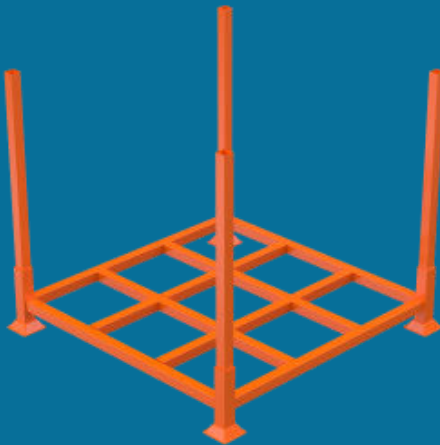


Shipping Information

- Stacked 9 high for shipping with posts removed
- Shipping dimensions with posts removed - Stack of 9 - 61 1/4" x 61 1/4" x 97 1/2"
- Weight of pallet with 47" posts - 166 lbs
- Weight of pallet on its own - 121 lbs
- 99 per load on a 53' Dry Van with barn doors
- Made in Canada



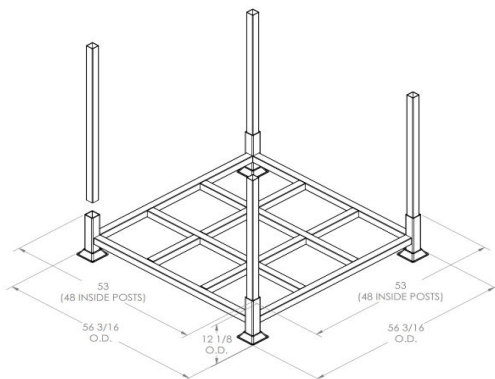
Standard

Product Information

- Stackable Post Pallet with Removable Posts
- Base & Removable corner post are made from 2" square tube with .125" wall
- Load capacity - 3000 lbs UDL
- Removable posts stocked in 47", 57 1/2" & 72" - custom lengths available upon request
- Stocked in Orange Enamel Finish-custom colours available upon request

Disclaimer

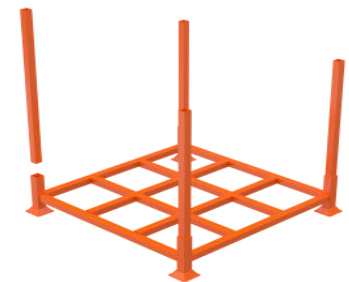
- All dimensions are approximate
- The customer is responsible for determining whether the Davco Industries product will be suitable for their own application
- It is the responsibility of the customer to determine all critical dimensions match their own requirement
- Davco Industries will not be liable for any loss or damage arising from the Davco Industries product



DIMENSIONS



STACKED 9 HIGH FOR
TRUCK SHIPMENT



ONE POST REMOVED