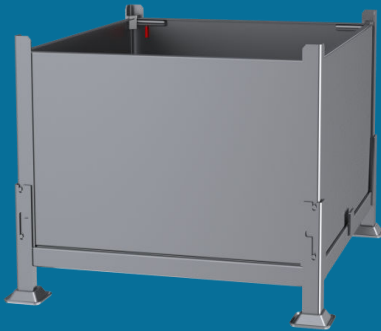


## Shipping Information

- Shipping Dimensions - 40 1/2" x 34 1/2" x 101"
- Weight of bin 150 lbs
- Stacked 3 high when Erected
- Stacked 7 high when Collapsed
- Weight of Stack 1050 lbs
- 144 Erected Bins Fit on 53' Trucks
- 324 Collapsed Bins fit on 53' Trucks
- Interstackable with all other Davco 40.5"x34.5" Series Standard Steel Bins
- Tariff number 7326.90.86.89



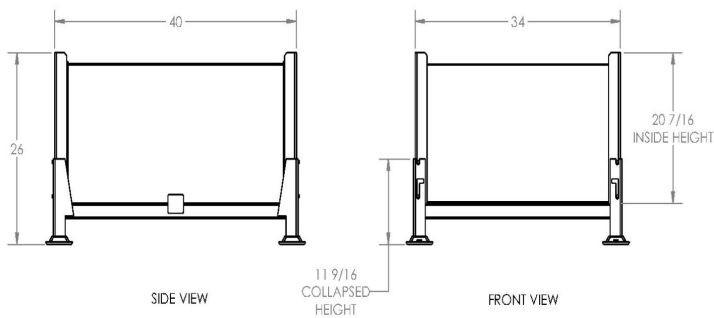
Standard Zinc Plated Finish

## Product Information

- Collapsible, Sheet Metal Steel Bin
- Inside Usable Volume: 14 Cubic Feet
- Sheet Metal 4 Sides with safety edges
- Sheet Metal Floor on Tubing Base Structure
- Load capacity - 3200 lbs UDL
- Stack height when full 5 high
- Colour - Zinc Plated Finish

## Disclaimer

- All dimensions are approximate
- The customer is responsible for determining whether the Davco Industries product will be suitable for their own application
- It is the responsibility of the customer to determine all critical dimensions match their own requirement
- Davco Industries will not be liable for any loss or damage arising from the Davco Industries product



DIMENSIONS



STACKED 7 HIGH FOR TRUCK SHIPMENT



STACKED 4 HIGH FOR TRUCK SHIPMENT